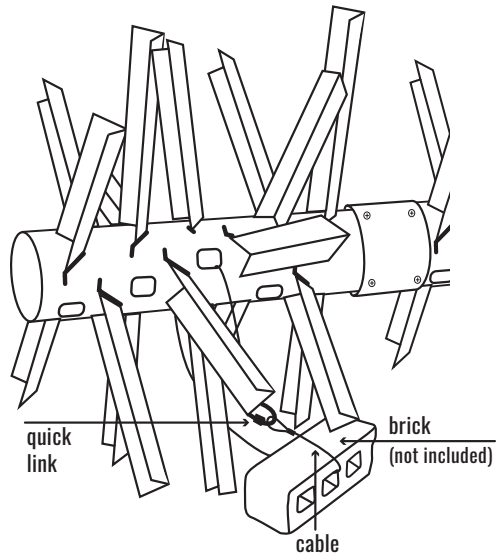
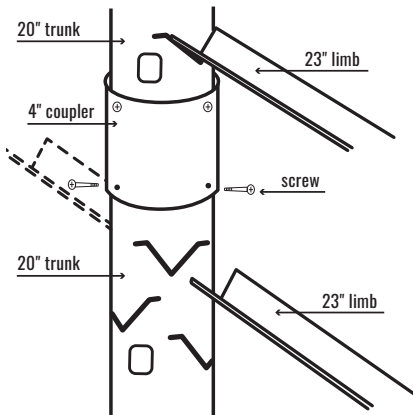


WEED LINE LAYDOWN WITH COUPLER (13 lbs.)

Two 20" trunks, eighteen 23" limbs, one 33" cable, one quick link, three 1" screws



1. Be sure the trunks are positioned upright where slits appear as "V" shapes. Line up the bottom limb slot on both trunks for best results. Ensure that trunks are touching before fastening. Secure trunks together with three 1" screws.
2. Insert one limb into outer V-shape and **angle tip down slightly** as you insert into V-shape directly across trunk.
3. Ensure limb is fit securely through V-shapes on both sides of trunk. MossBack products allow you to create multiple limb configurations (see below). Leave at least 4" of limb through one side of trunk.
4. Continue inserting limbs in trunk repeating first three steps.
5. Lay habitat on its side and loop cable through square openings in the trunk. Feed cable through brick and clip quick link to fasten ends of cable together.



Regular



All limbs to one side
(creates a stakebed)