

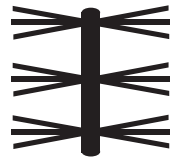
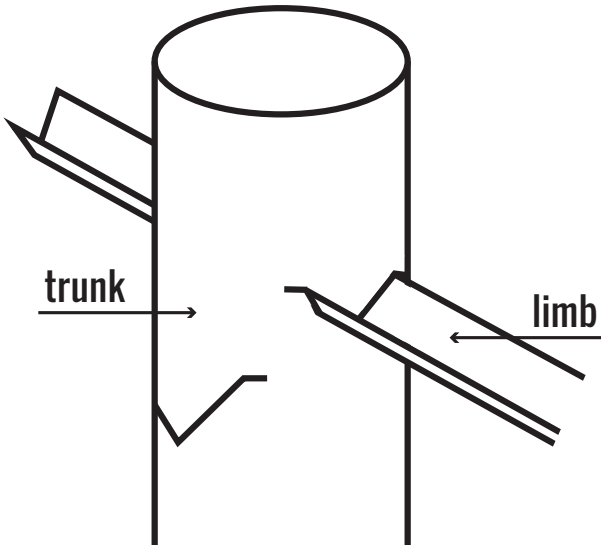
# TROPHY TREE XL *(16 lbs.)*

One 60" Trophy Tree XL trunk, twelve 60" limbs

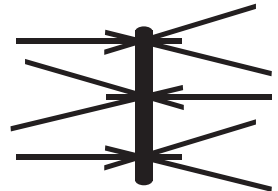


1. Position trunk upright where slits appear as "V" shapes.
2. Insert one limb into outer V-shape and **angle tip down slightly** as you insert into V-shape directly across trunk.
3. Ensure limb is fit securely through V-shapes on both sides of trunk.  
MossBack products allow you to create multiple limb configurations.  
Leave at least 4" of limb through on one side of trunk.
4. Continue inserting limbs in trunk repeating first three steps.

**Product needs weighting.** We recommend our block adapter (sold separately) to easily attach a concrete block to our single products.



Regular



Widespread for maximum coverage