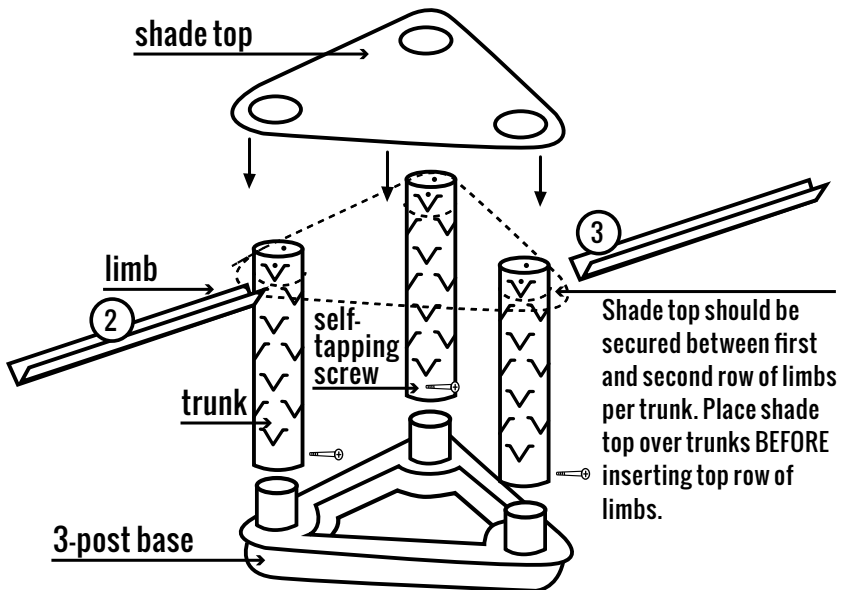


SAFE HAVEN KIT (60 lbs.)

One Triangle Base and Shade Top, nine screws,
three Safe Haven trunks, fifty-four 46" limbs



1. Insert trunks into post base and secure with provided self-tapping screws. **TIP: Note the correct orientation of the V shape. There are NO pre-drilled holes for the self-tapping screws.**
2. Insert one limb into the second V from the top of each trunk (see diagram).
3. Lay shade top over top of trunks and secure by inserting limbs in top row of V's on top of each trunk (see diagram).
4. Insert limbs in the remaining V's on each trunk.
5. Place gravel, concrete block(s), or bag of concrete in base to weigh product down (not included).



TROPHY TREE KIT (38 lbs.)

One Triangle Base and Shade Top, nine screws,
three Trophy Tree trunks, twenty-seven 46" limbs



1. Insert trunks into post base and secure with provided self-tapping screws. **TIP: Note the correct orientation of the V shape.** There are **NO** pre-drilled holes for the self-tapping screws.
2. Insert one limb into the second V from the top of each trunk (see diagram).
3. Lay shade top over top of trunks and secure by inserting limbs in top row of V's on top of each trunk (see diagram).
4. Insert limbs in the remaining V's on each trunk.
5. Place gravel, concrete block(s), or bag of concrete in base to weigh product down (not included).

