

BLOCK ADAPTER (2 lbs.)

One base plate affixed to an 11 inch connector sleeve, one top plate, two screws



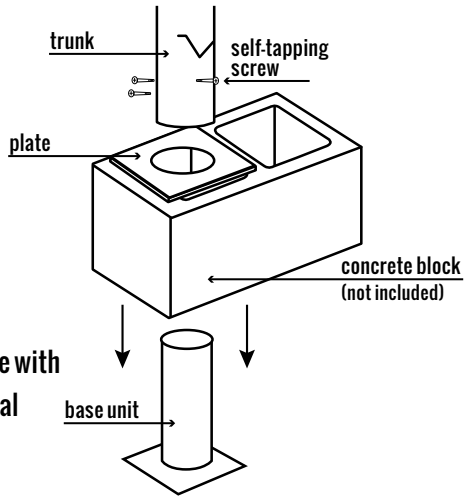
(for use with Root Wad, Safe Haven, Safe Haven XL, Trophy Tree, Trophy Tree XL, Predator Prey Combo Tree, and John Godwin Signature Crappie Tower)*

1. Place concrete block over base unit.

2. Place top plate over base unit pipe to rest on concrete block.

3. Slide trunk down over the base unit pipe. *(*Note: the Root Wad trunk WILL NOT fit flush with the top plate on block. Insert bottom limb first, hold trunk level, and insert 3 screws to secure)*

4. Secure the trunk to the base unit pipe with three self-tapping screws. The optimal placement for screws is 1 1/3" below bottom limb.



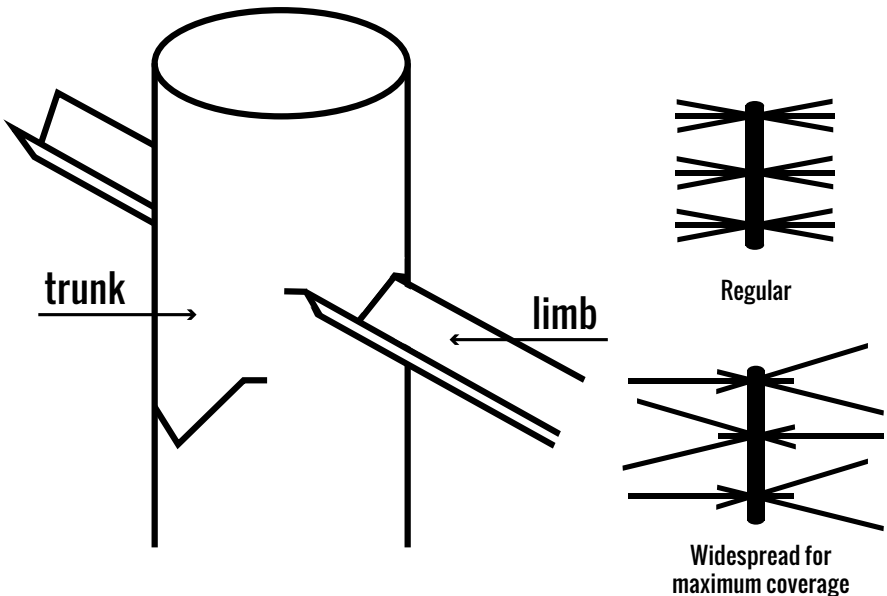
SAFE HAVEN *(18 lbs.)*

One 40" Safe Haven trunk, eighteen 46" limbs



1. Position trunk upright where slits appear as "V" shapes.
2. Insert one limb into outer V-shape and **angle tip down slightly** as you insert into V-shape directly across trunk.
3. Ensure limb is fit securely through V-shapes on both sides of trunk.
MossBack products allow you to create multiple limb configurations.
Leave at least 4" of limb through on one side of trunk. See ideas below.
4. Continue inserting limbs in trunk repeating first three steps.

Product needs weighting. We recommend our block adapter (sold separately) to easily attach a concrete block to our single products.



TROPHY TREE (12 lbs.)

One 40" Trophy Tree trunk, nine 46" limbs



1. Position trunk upright where slits appear as "V" shapes.
2. Insert one limb into outer V-shape and **angle tip down slightly** as you insert into V-shape directly across trunk.
3. Ensure limb is fit securely through V-shapes on both sides of trunk.
MossBack products allow you to create multiple limb configurations.
Leave at least 4" of limb through on one side of trunk. See ideas below.
4. Continue inserting limbs in trunk repeating first three steps.

Product needs weighting. We recommend our block adapter (sold separately) to easily attach a concrete block to our single products.

