

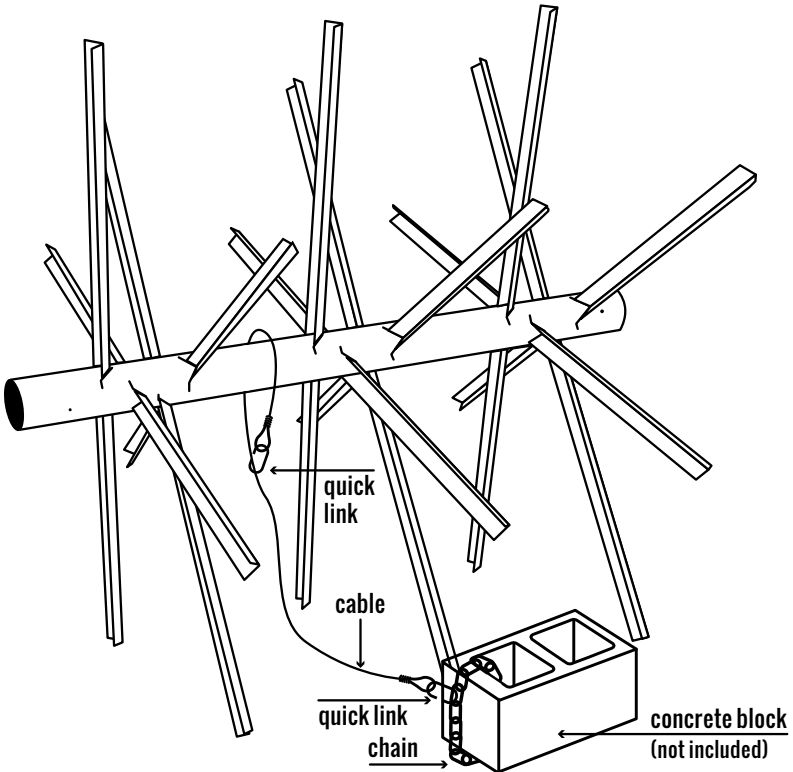
LAYDOWN CABLE KIT (2 lbs.)

One 5' cable, two 3/16" quick links, one 24" chain



(used for weighting of The John Godwin Signature Crappie Tower for horizontal placement)

1. Lay habitat on its side and wrap cable around trunk between limbs.
Clip one quick link to secure cable. Clip the second quick link to chain around concrete block.

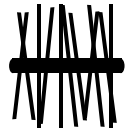
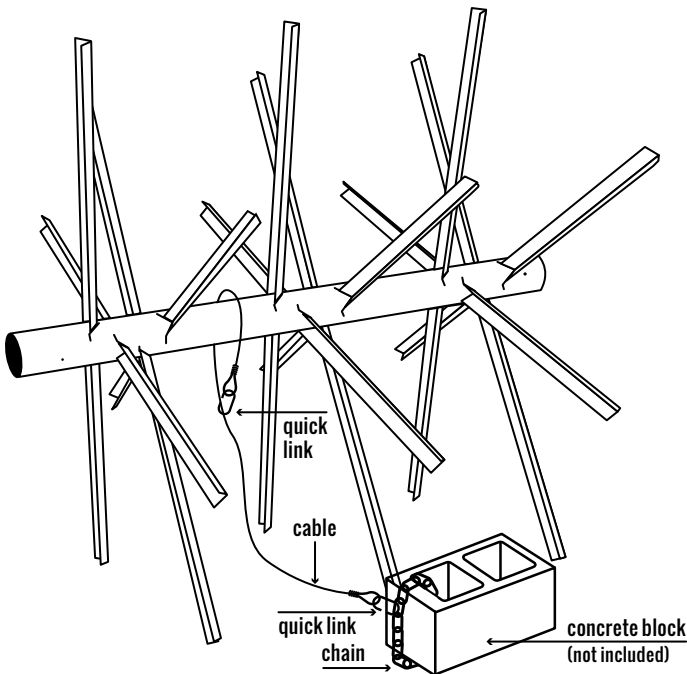


SAFE HAVEN XL LAYDOWN LOG (33 lbs.)

One 60" Safe Haven XL trunk, twenty-eight 46" limbs, one laydown cable kit



1. Position trunk upright where slits appear as "V" shapes.
2. Insert one limb into outer V-shape and **angle tip down slightly** as you insert into V-shape directly across trunk.
3. Ensure limb is fit securely through V-shapes on both sides of trunk. MossBack products allow you to create multiple limb configurations (see below). Leave at least 4" of limb through one side of trunk.
4. Continue inserting limbs in trunk repeating first three steps.
5. Lay habitat on its side and wrap cable around trunk between limbs. Clip one quick link to secure cable. Clip the second quick link to chain around concrete block.



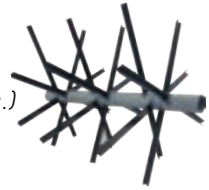
Regular



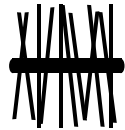
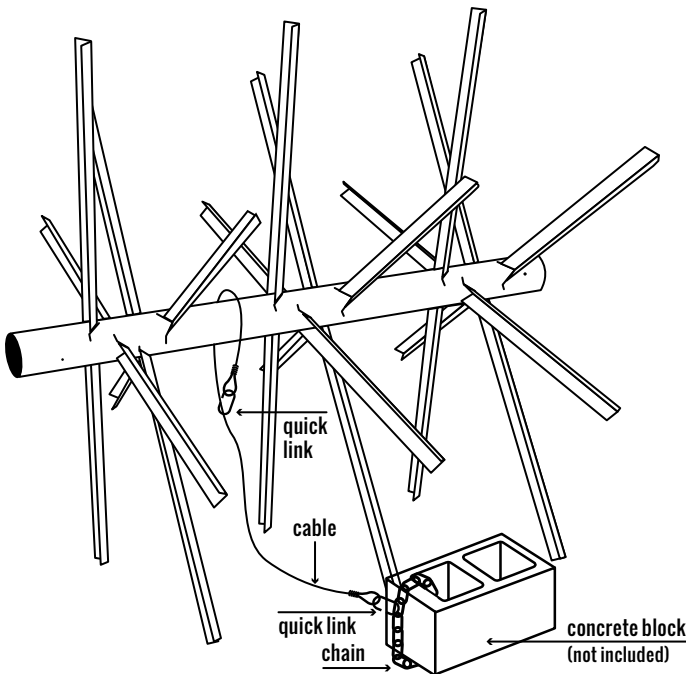
All limbs to one side
(creates a stakebed)

TROPHY TREE XL LAYDOWN LOG (18 lbs.)

One 60" Trophy Tree XL trunk, twelve 46" limbs, one laydown cable kit



1. Position trunk upright where slits appear as "V" shapes.
2. Insert one limb into outer V-shape and **angle tip down slightly** as you insert into V-shape directly across trunk.
3. Ensure limb is fit securely through V-shapes on both sides of trunk. MossBack products allow you to create multiple limb configurations (see below). Leave at least 4" of limb through one side of trunk.
4. Continue inserting limbs in trunk repeating first three steps.
5. Lay habitat on its side and wrap cable around trunk between limbs. Clip one quick link to secure cable. Clip the second quick link to chain around concrete block.



Regular



All limbs to one side
(creates a stakebed)